



RESIDENTIAL



DISABLED
USE

THE PHOENIX

Oil Hydraulic Chain Over Residential Lift

AUSSIE LIFTS



“Full of surprises, the Phoenix offers versatility in size, speed and design for multi-level residential properties. Custom built in Australia, as a free standing unit, the Phoenix has short lead times and eliminates many of the traditional costs associated with luxury lifts”.

Capable of servicing up to four levels, with a maximum travel of 7.5 metres, the Phoenix is powered by an advanced chain-over oil hydraulic drive system that not only pushes the boundaries of residential lift performance, but also dramatically reduces pit and overhead height requirement - especially important with height restriction.

Supplied as a complete free-standing unit with its own self supporting tower, doors, hydraulics and pump, the Phoenix provides flexibility in speed, weight capacity, size and finishes.

Eliminating the huge expense of building conventional lift towers, the Phoenix requires no load bearing walls and is easy to install.

With a lift capacity of 350kg, the Phoenix can easily carry two people (including a wheelchair) at an average lift speed of 0.185 m/sec or 0.292 m/sec if the enhanced package is selected.

STANDARD SAFETY FEATURES

Supplied with an impressive list of standard safety features, the Phoenix offers peace of mind with it's in-car emergency telephone, infra-red door sensors, emergency battery back up lowering system and lighting. On top of that, the Phoenix has a very easy to use manual lowering valve, should the lift car ever need to be lowered.

CHAIN-OVER OIL HYDRAULICS

Providing a gentle and reliable ride, the Phoenix uses an advanced chain-over 1:2 drive system with indirect acting oil hydraulic cylinders on both sides of the lift car.

Unique for a residential lift, the Phoenix offers reduced alteration on construction costs normally associated with fitting a lift into a new or existing home. This is because the Phoenix requires no overhead space and only a 100mm pit.

Optional feature - For improved floor levelling accuracy and smoother lift operation, the addition of a VVF drive to the hydraulic pump motor gives the lift the performance commonly found only on high end residential lift control systems.

If you would like the option of faster travel between floors, we offer an enhanced package to our clients. The package includes an increased pump, VF drive and full light ray protection.

Cost Effective

- ▶ Self supporting lift tower - no load bearing walls required
- ▶ No separate machine room construction required
- ▶ Low installation/home construction costs
- ▶ Low running costs/power consumption
- ▶ Single phase 240v power
- ▶ Once a year maintenance
- ▶ Internal or external installation

Safety

- ▶ Reliable oil hydraulic chain-over
- ▶ Emergency battery backup lowering system & lighting
- ▶ Additional manual lowering facilities
- ▶ Internal phone
- ▶ Emergency stop function
- ▶ 3 beam photo electric sensors across the door entrance
- ▶ Key lockable push button controls

Peace of Mind

- ▶ Manufactured by a family owned and operated company
- ▶ Australian made to Australian Standards
- ▶ Built to superior specifications using quality materials
- ▶ Warranty on parts and labour
- ▶ Lift delivered, installed & tested by our technicians
- ▶ Custom built to your specification
- ▶ Lift tower can be finished to match home decor
- ▶ Unrivalled after-sales service

LIFT TOWER

Built as a free-standing, self-supporting unit and weighing approx 650kg, the lift tower is fabricated from aluminium and comes complete with doors, door frames, flashings, electrical wiring and hydraulic cylinders.

To eliminate the need for a secondary door on the lift car, the section of shaft between the two landings is fitted internally with panelling to create a flush running surface.

Depending on space & architectural needs, the lift shaft can be set up for cladding to be applied directly to it's framework. The Phoenix lift tower can be easily incorporated into a new or existing home, whether it be positioned internally or externally.

LIFT CAR

Available in two styles of configuration:

- ▶ Single entry **"A Model"** with entry and exiting on the same side
- ▶ Dual entry **"B Model"** with entry at the front and exiting via the rear.

Lift cars can be individually built to the customer's requirements - up to a maximum floor space of 1.6m².

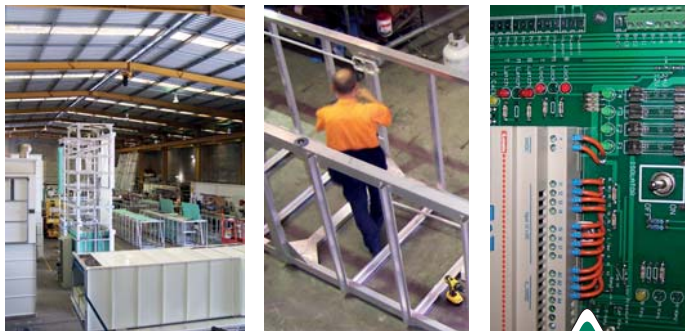
Lift car sizes are as follows:

- ✓ **STANDARD MODEL** W: 900mm x D: 1300mm x H: 2100mm
- ✓ **DELUXE MODEL** W: 1100mm x D: 1400mm x H: 2100mm



Proudly Australian Owned, Australian Designed & Australian Made





Why buy Australian Made?

- ▶ Built to Australian Standards
- ▶ Confidence in Quality
- ▶ Short lead times
- ▶ Parts readily available
- ▶ Jobs created in Australia
- ▶ Supporting Australian Economy
- ▶ Ensuring skills are retained for future generations



LIFT CAR INTERIOR

Available in a number of different finishes, the most popular look being white colorbond capped panels fitted with butt joints and shadow lines. The Phoenix can also be finished in traditional Tasmanian oak or have a more modern appearance by using vinyl or stainless steel.

Standard car features include:

- ✓ Stainless steel handrail
- ✓ Non-slip floor covering indoor/outdoor carpet
- ✓ Recessed emergency telephone
- ✓ 2-4 recessed down lights
- ✓ Photo electric sensors across the door entrance

Optional full length stainless steel control panels are also available.

LANDING DOORS

Fitted with swing action doors with a mechanical lock, adjustable automatic door closer and electrical interlock, the whole assembly is part of the lift shaft.

Door styles include:

- ✓ Redicote flush door with optional glass view panel
- ✓ Patterned door from the Corinthian & Hume internal range
- ✓ Metal door with optional glass view panel
- ✓ Glass door

To assist in the operation of the doors, door hold open devices, automatic door operators or sensory operation can be fitted to the landing doors as an optional extra.

Door size for **standard** lift car: 870mm wide x 2040mm high.

Door size for **deluxe** lift car: 920mm wide x 2040mm high.

Lift can be supplied with 2340mm high doors.

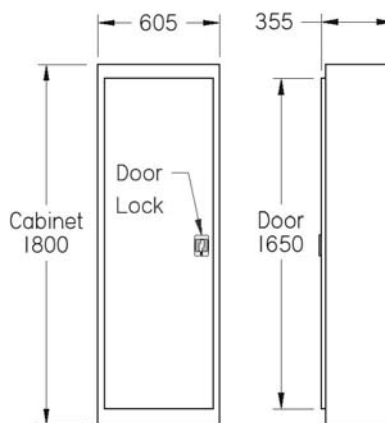
STATIONS

Mounted on a stainless steel plate with round stainless steel illuminated buttons, the electric controls are automatic in operation and key lockable to prevent unwanted usage.

To eliminate the possibility of the lift car being called by another user on arrival, the Phoenix is fitted with a 5 second non-reversal timer.

MACHINE CABINET

The Phoenix uses a separate lift machine cabinet that creates a more compact lift design and eliminates costly machine room construction.



Fabricated from metal, and powdercoated, to withstand the external elements, the cabinet is mounted at the ground level for easy access for emergency and maintenance purposes.

Provided with a key lockable door, the cabinet contains the hydraulic power unit, oil tank, hydraulic control valves, electrical control board, emergency power supply, cabinet light, emergency tools and instructions.

INSTALLATION

Supplied, assembled & pretested, the design of the Phoenix allows for easy installation by either craning in, dismantling or manoeuvring into place.

Able to be installed within 3 - 4 days, the Phoenix is perfect for new or existing homes as the time on site is minimal.

ELECTRICAL REQUIREMENTS

The standard, enhanced and deluxe models all have the same economical power requirements.

- ▶ 240volt. Single Phase. 16amp RCD protected
- ▶ Active analogue telephone line

MAINTENANCE

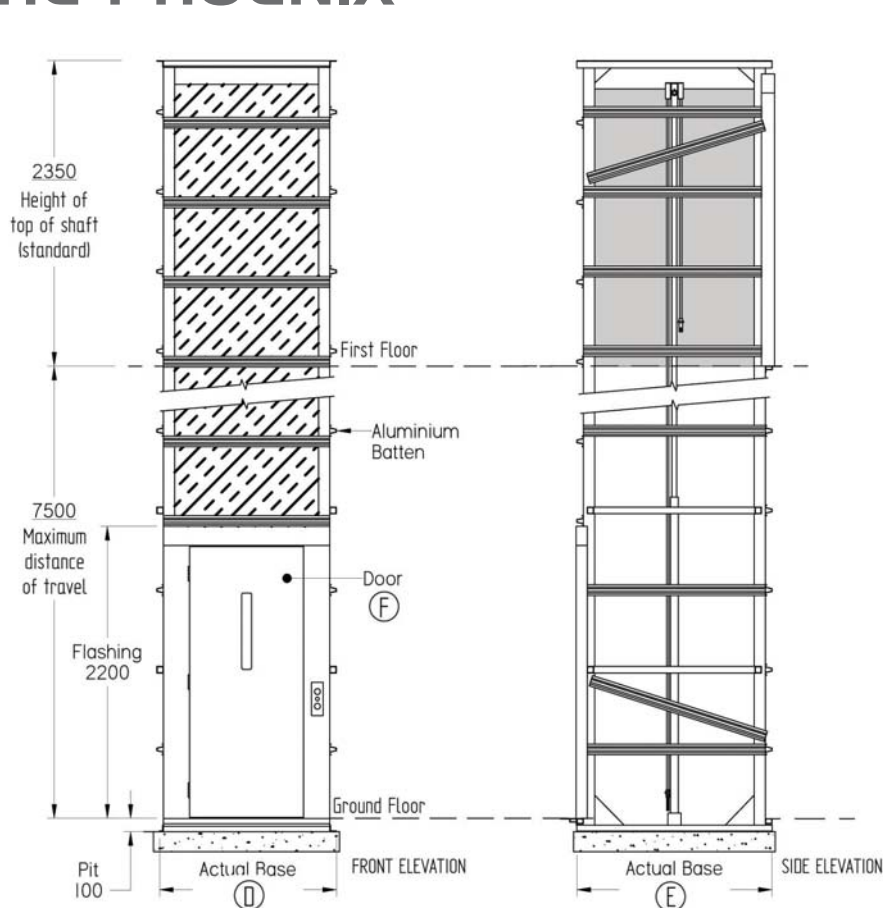
For optimum performance, reliability and long term use, the lift should be serviced every 12 months by an approved lift technician.

WARRANTY

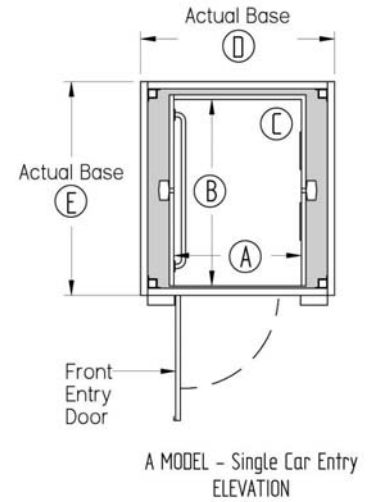
The lift equipment provided is covered for 12-24 months, excluding malicious damage and/or misuse.



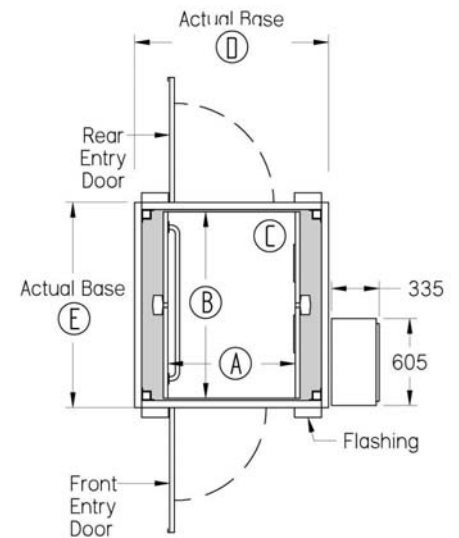
THE PHOENIX



Lift Measurements						
Description	Car Width	Car Depth	Car Height	Shaft Width	Shaft Depth	Door Width
Key	A	B	C	D	E	F
Single Entry - Standard	900	1300	2100	1350	1470	870
Dual Entry - Standard	900	1300	2100	1350	1410	870
Single Entry - Deluxe	1100	1400	2100	1575	1585	920
Dual Entry - Deluxe	1100	1415	2100	1575	1525	920



A MODEL - Single Car Entry ELEVATION



B MODEL - Dual Car Entry ELEVATION

NOT FOR CONSTRUCTION

PLEASE NOTE: No overhead height is required with this lift as the hydraulic cylinders are contained within the lift shaft. These are indicative drawings. Please speak to one of our friendly Lift Consultants for further information on lift requirements.

MAIN SPECIFICATIONS

- Carrying Capacity:** 350kg
- Car Size:** Standard - 900W x 1300D x 2100Hmm
Deluxe - 1100W x 1400D x 2100Hmm
- Door Sizes:** Standard - 870mm x 2040Hmm
Deluxe - 920 x 2040Hmm
- Maximum Travel:** Up to 7500mm overall
- Lift Speed:** Standard - Rated speed 0.185 m/sec with hydraulic valve stop with an up stop
Enhanced - Rated speed 0.292m/sec using VF drive & increased pump (optional extra)
- Max No. of Stops:** 3 to 4 Stops
- Drive System:** Oil hydraulic chain over with indirect acting cylinders on each side of the lift car. 1:2 ratio
- Minimum Pit Depth:** 100mm
- Cylinder Extension:** Contained within lift tower
- Machine Cabinet:** 605W x 335D x 1800Hmm
- Controls:** Automatic operation & key isolation
- Standards:** Meets or exceeds requirements of the Australian Standards Lift code AS1735 Part 16 & 18
- Usage:** Residential
- Application:** External or internal
- Installation:** Crane in, dismantle or manoeuvred
- Lift Tower:** Inclusive. Self supporting - no structural walls required.
Cladding by others can be attached directly to the lift structure
- Supply Voltage:** 240volt. Single Phase. 16amp RCD protected

Your Local Representative

For additional information, please contact your local Aussie Lifts representative. They will be able to answer any questions you may have.

Southern Lifts

www.southernlifts.com.au
Info@southernlifts.com.au



03 9580 5800

Aussie Lifts Pty Ltd
12 Achievement Crescent
Acacia Ridge QLD 4110
Tel (07) 3274 4211

info@aussielifts.com.au

www.aussielifts.com.au

A.B.N # 92 516 686 505