



COMMERCIAL



DISABLED
USE

THE MARINER 16

Oil Hydraulic Chain Over Commercial Lift

AUSSIE LIFTS



"Offering a budget solution in providing multi-level disabled access to a commercial premises. The Mariner 16 is ideal for schools, factories, churches, organisations & government buildings."

Built to Australian Standard 1735 part 16, the Mariner 16 lift is BCA E3.6 compliant and is perfect for complying with the disable access regulations for commercial buildings, whether it be for a new or existing building.

Capable of servicing up to four levels with a maximum travel of 7.5 metres, the Mariner is powered by an advanced chain-over oil hydraulic drive system that requires no over head space or structural support.

Offering an alternative to the costly expense associated with providing load bearing walls, large slab footings and a machine room, the Mariner 16 comes complete with it's own light-weight self supporting lift shaft, landing doors and machine cabinet.

Requiring only days to install, the Mariner 16 lift is custom built in Australia resulting in short lead times.

Rated for 350kg, the Mariner 16 can easily carry three people and has a car size of 1100mm x 1400mm x 2100mm, between the sensors.

STANDARD SAFETY FEATURES

Supplied with an impressive list of standard safety features, the Mariner offers peace of mind with it's in-car emergency telephone, light ray door sensor, emergency battery backup lowering system and lighting. On top of that, the Mariner has a very easy to use manual lowering valve, should the lift car ever need to be lowered.

CHAIN-OVER OIL HYDRAULICS

Providing a gentle and reliable ride, the Mariner 16 uses an advanced chain-over 1:2 drive system with indirect acting oil hydraulic cylinders on both sides of the lift car.

Unique for a commercial lift, the Mariner offers reduced construction costs normally associated with fitting a lift into a new or existing building. This is because the Mariner 16 requires no overhead space and only a 100mm pit.

Optional Feature - For improved floor levelling accuracy and smoother lift operation, the addition of a VVF drive to the hydraulic pump motor gives the lift the performance commonly found on high end commercial lifts.

Cost Effective

- ▶ Self-supporting lift tower - no load bearing walls required
- ▶ No separate machine room construction required
- ▶ Only 100mm pit depth
- ▶ Low installation / construction costs
- ▶ Low running costs / power consumption
- ▶ Single phase 240v power
- ▶ Once a year maintenance
- ▶ Suitable for internal or external installation

Safety

- ▶ Reliable dual oil hydraulic chain-over cylinders
- ▶ Emergency lift car lighting - in the event of power failure
- ▶ Automatic battery backup lift car lowering system
- ▶ Additional manual lowering facilities
- ▶ Emergency stop button, alarm and phone
- ▶ Light curtain sensors across the door entrance
- ▶ Door-hold-open device
- ▶ Key lockable push button controls
- ▶ Automatic homing of the lift car

Peace of Mind

- ▶ Manufactured by a family owned and operated company
- ▶ Australian made to Australian Standards
- ▶ Built to superior specifications using quality materials
- ▶ Warranty on parts and labour
- ▶ Lift delivered, installed & tested by qualified lift technicians
- ▶ Custom built to your specification
- ▶ Lift shaft can be finished to match existing architecture
- ▶ Unrivalled after-sales service

LIFT TOWER

Built as a free-standing, self-supporting unit and weighing approx 650kg, the lift tower is fabricated from aluminium and comes complete with doors, door jambs, flashings, electrical wiring and hydraulic cylinders.

To eliminate the need for a secondary door on the lift car, the section of shaft between the two landing doors is internally lined with panelling to create a flush running surface.

Depending on space and architectural needs, the lift shaft can be set up for cladding to be applied directly to it's framework. The Mariner lift tower can be easily incorporated into a new or existing building, whether it be positioned internally or externally.

LIFT CAR

Available in two styles of configuration:

- ▶ Single entry "**A Model**" with entry and exiting on the same side
- ▶ Dual entry "**B Model**" with entry at the front and exiting via the rear.

Car sizes are as follows:

- ▶ Single entry "**A Model**" 1100 x 1450 x 2100
- ▶ Dual entry "**B Model**" 1100 x 1515 x 2100





Why buy Australian Made?

- ▶ Built to Australian Standards
- ▶ Confidence in Quality
- ▶ Short lead times
- ▶ Parts readily available
- ▶ Jobs created in Australia
- ▶ Supporting Australian Economy
- ▶ Profits remain in Australia
- ▶ Ensuring skills are retained for future generations



LIFT CAR INTERIOR

Available in a number of different finishes, the most popular look being white colorbond capped panels fitted with butt joints and shadow lines. The Mariner can be also finished in traditional Tasmanian oak or have a modern appearance by using vinyl or stainless steel.

Depending on the selected finish, the actual size of the lift car and shaft may have to be increased to ensure the required floor space stays compliant with the BCA code.

Standard car features include:

- ✓ Stainless steel handrail
- ✓ Non - slip floor covering indoor/outdoor carpet
- ✓ Automatic dialling telephone
- ✓ 4 recessed LED down lights
- ✓ Light rays across the door entrance
- ✓ Dual controls

Optional full length stainless steel control panels are also available.

LANDING DOORS

Fitted with swing action doors with a mechanical lock, door hold open device and electrical interlock, the whole assembly is part of the lift shaft.

Door styles include:

- ✓ Redicote flush door with optional glass view panel
- ✓ Patterned door from the Corinthian or Hume internal range
- ✓ Metal door with optional glass view panel
- ✓ Glass door

To assist in the operation of the doors, a door hold open device is fitted. Automatic door operators and swipe card security devices can be added to the landing doors as an optional extra.

Door size for **standard** lift car: 970mm wide x 2040mm high.
Lift can be supplied with 2340mm high doors.

STATIONS

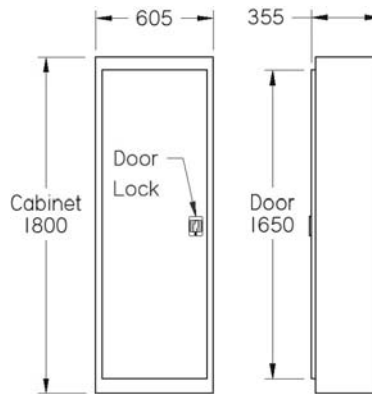
Mounted to the front of the lift and onto a stainless steel plate, the round stainless steel buttons are automatic in operation and supplied with braille & tactile.

Under the BCA ruling, any Mariner 16 servicing more than two levels will be provided with visual and audible indicators within the lift car and at the landings.

For securing the lift against unwanted users, each control is fitted with an isolating key switch. Used in conjunction with the parking facility, the lift car will position itself just above the lower landing, preventing either of the landing doors from opening. This command can be overridden at either landing by keying the lift back on.

MACHINE CABINET

The Mariner uses a separate lift machine cabinet that creates a more compact lift shaft design and eliminates costly machine room construction.



Fabricated from metal and powdercoated, to withstand the external elements, the cabinet is mounted at the ground level for easy access for emergency and maintenance purposes.

Provided with a key lockable door, the cabinet contains the hydraulic power unit, hydraulic control valves, electrical control board, emergency power supply, cabinet light, emergency tools and instructions.

INSTALLATION

Supplied assembled & pretested, the design of the Mariner allows for easy installation by either craning in, dismantling or manoeuvring into place.

Able to be installed within 3 - 4 days, the Mariner is perfect for new or existing buildings as time on site is minimal.

ELECTRICAL REQUIREMENTS

The Mariner 16 only requires a 16amp RCD protected single phase power circuit. The lift mains do not require fire rating so the lift can be fed from a local sub board.

MAINTENANCE

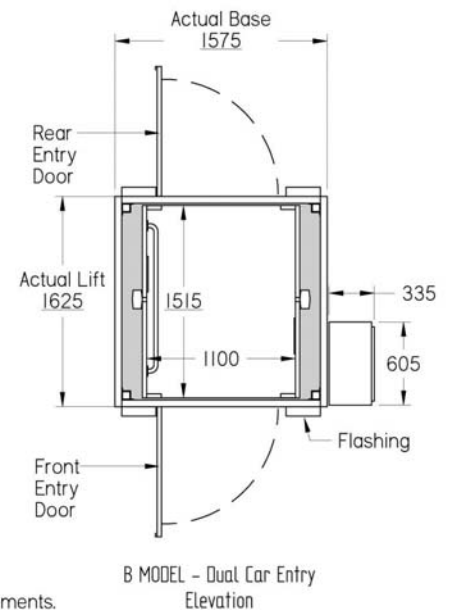
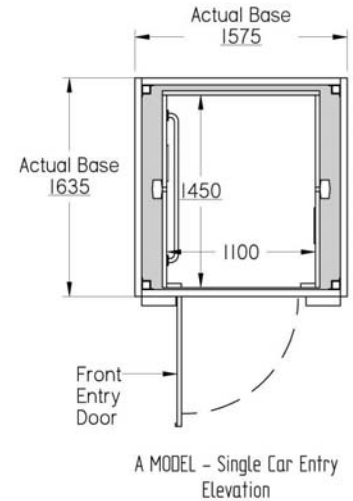
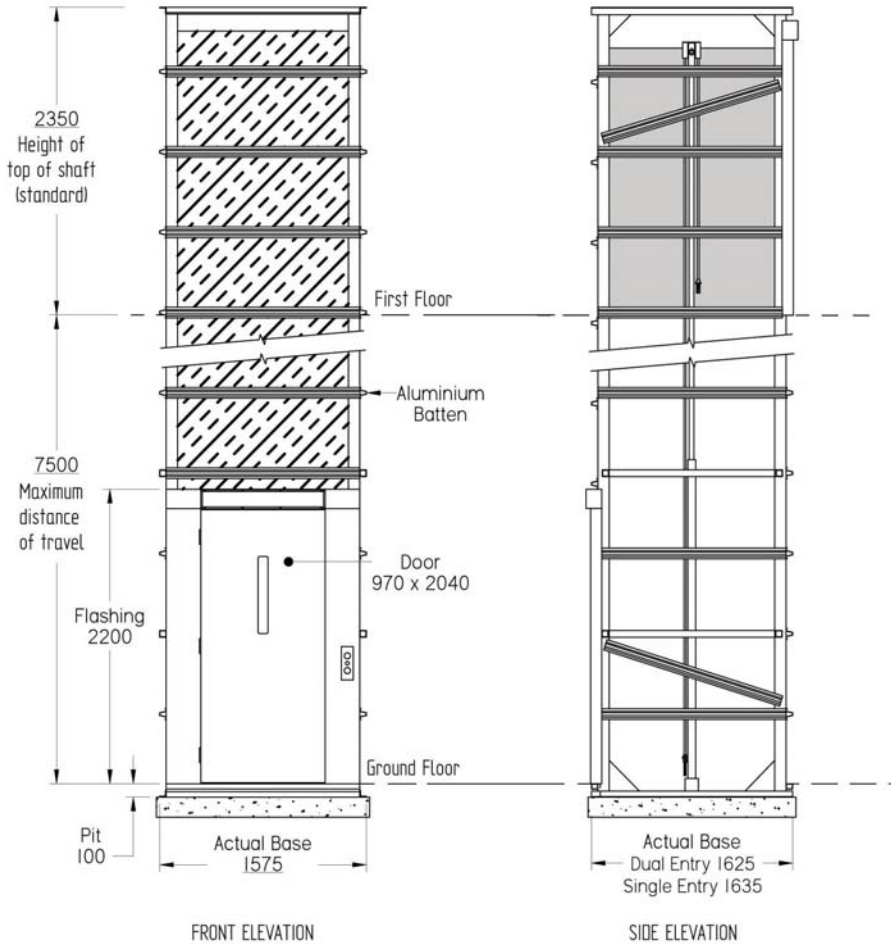
For optimum performance, reliability and long term use, the lift should be serviced every 12 months by an approved lift technician.

WARRANTY

The lift equipment provided is covered for 12 - 24 months, excluding malicious damage and/or misuse.



THE MARINER



NOT FOR CONSTRUCTION

PLEASE NOTE: No overhead height is required with this lift as the hydraulic cylinders are contained within the lift shaft. These are indicative drawings. Please speak to one of our friendly Lift Consultants for further information on lift requirements.

MAIN SPECIFICATIONS

- Carrying Capacity:** 350kg
- Car Size:** Single Entry - 1100W x 1450D x 2100Hmm
Dual Entry - 1100W x 1515D x 2100Hmm
- Door Size:** 970W x 2040Hmm
- Maximum Travel:** 7500mm (4 levels)
- Lift Speed:** Standard - Rated speed 0.185 m/sec with hydraulic valve stop with an up stop
- Max No. of Stops:** 4 Stops
- Drive System:** Oil hydraulic chain over with indirect acting cylinders on each side of the lift car. 1:2 ratio
- Minimum Pit Depth:** 100mm
- Cylinder Extension:** Contained within lift tower
- Machine Cabinet:** 605W x 335D x 1800Hmm
- Controls:** Automatic operation & key isolation
- Standards:** Meets or exceeds requirements of the Australian Standards Lift code AS1735 Part 16 & BCA E3.6 compliant
- Usage:** Commercial
- Application:** External or internal
- Installation:** Crane in, dismantle or manoeuvred
- Lift Tower:** Inclusive. Self supporting - no structural walls required. Cladding by others can be attached directly to the lift structure
- Supply Voltage:** 240volt. 16amp RCD breaker

Your Local Representative

For additional information, please contact your local Aussie Lifts representative. They will be able to answer any questions you may have.

Southern Lifts

www.southernlifts.com.au
Info@southernlifts.com.au



03 9580 5800

Aussie Lifts Pty Ltd
12 Achievement Crescent
Acacia Ridge QLD 4110
Tel (07) 3274 4211

info@aussielifts.com.au

www.aussielifts.com.au

A.B.N # 92 516 686 505